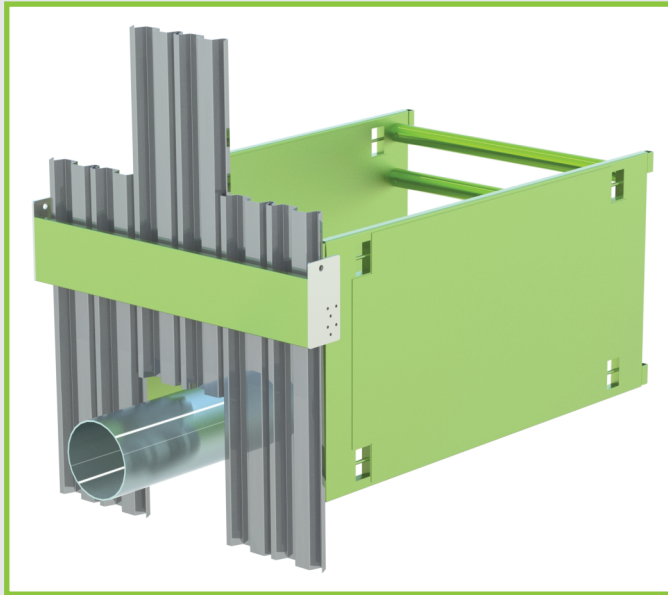




The CERDA End Guide Frame provides protection at the ends of the shield.

05-2021 U.S. Patent No. 10,954,646

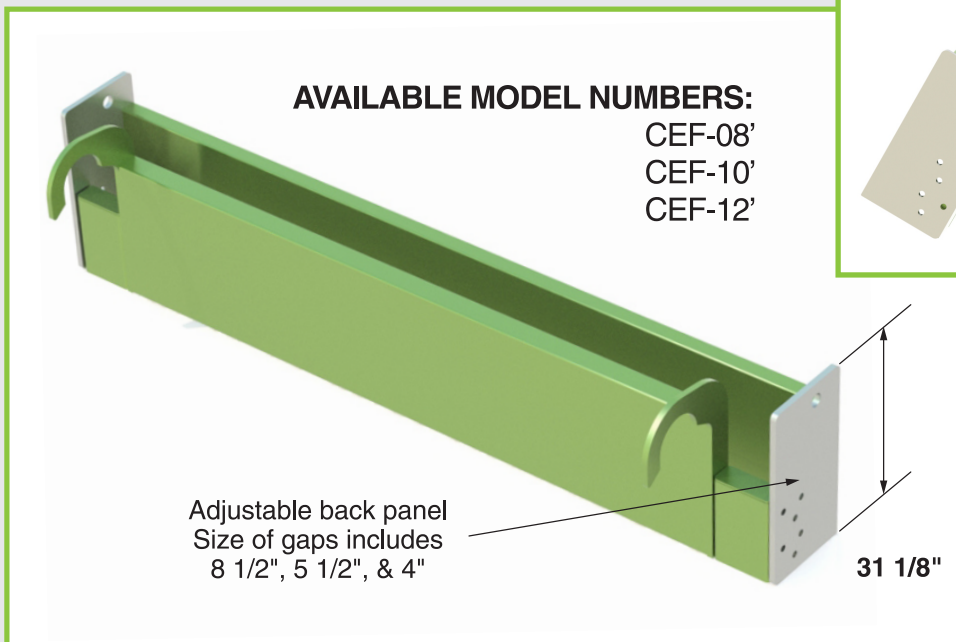


- Easily attaches to standard pipe spreaders.
- Hangs from spreaders at the collars and bears against the ends of the shield side walls.
- Protects against cave-ins without imparting buckling forces to the spreader.
- Adjustable back panel to hold the sheeting from moving in or out.



**AVAILABLE MODEL NUMBERS:**

CEF-08'  
CEF-10'  
CEF-12'



Tabulated Data includes  
1" Road Plate and several  
commonly used sheet pile  
shapes such as:

- CERDA G3
- KD 6/8"

An easy way to be in OSHA Compliance when  
closing off the end of a trench.

*Proudly Made in the USA*